

FAN PERGOLA INSTALLATION INSTRUCTIONS



List of Materials

Column assembly

- 8 threaded rods
- 4 coupling nuts
- 4 tuscan base and capital
- 4 columns
- 4 bottom plates for column assembly
- 4 top plates for column assembly
- 4 wood blocks and sheaths

Beam assembly

- 2 fiberglass beam assemblies (2x10)
- 8 lag screw to attach the beams to the post core
- 8 decorative bolt covers

Rafter assembly

- 9 fiberglass rafters (2x8)
- 9" wood screws

Purlin assembly

- 5 fiberglass purlins (2x4)
- 24 5" screws to attach purlins to the rafters

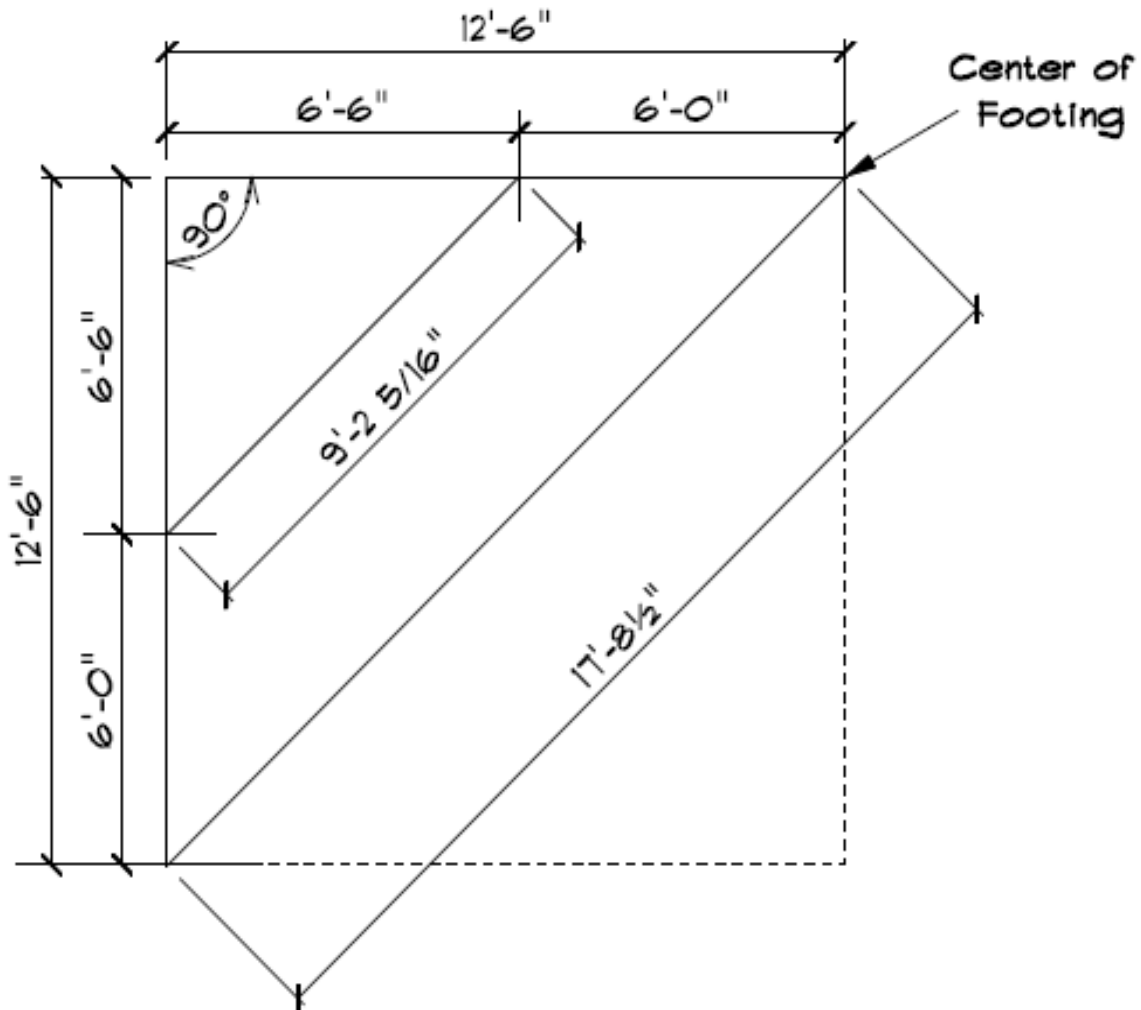
Tools Required

- Driver for screws
- Level
- Tape measure
- Wrenches
- Metal saw (sawzall with metal blade)
- Safety glasses

Be sure to follow the safety instructions for all the tools

16 X 16 PERGOLA
INSTALLATION INSTRUCTIONS

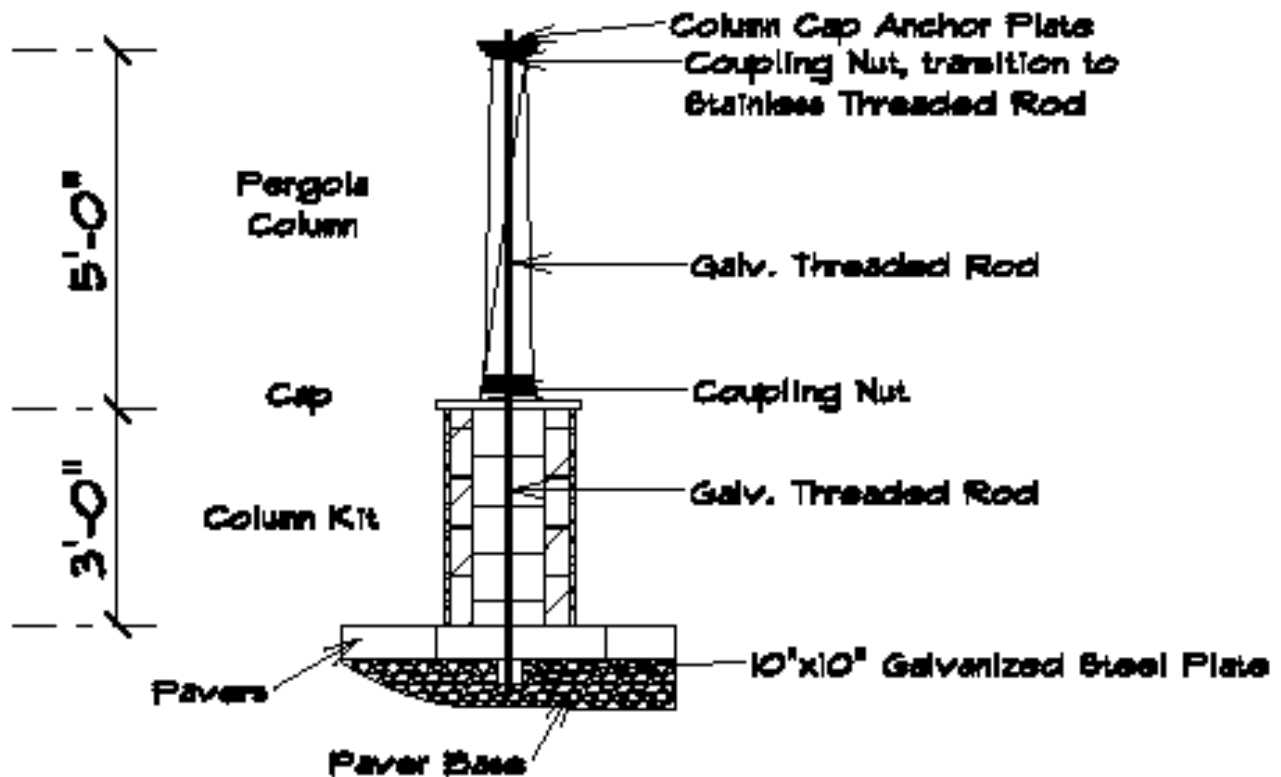
FOOTING LAYOUT



The pergola beams will run across the 9' 2" distance, and the 17' 8" distance.

FAN PERGOLA INSTALLATION INSTRUCTIONS

COLUMN ASSEMBLY INSTALLATION



Insert threaded rod into bottom plate and attach second rod using coupling nut, then build stone column base on top of base plate.

Slide column over threaded rod and attach final rod section.

Slide on tuscan capitol and base, then bolt top plate on using provided nut and washer to secure column to pavers.

Slide the wood blocks over the threaded rods and attach with provided nuts.

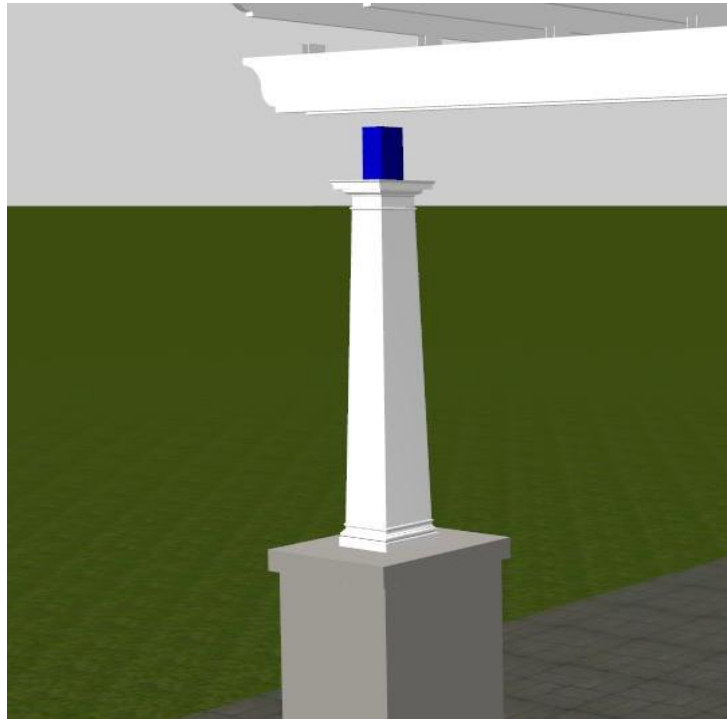
Slide on plastic sheath and end cap

FAN PERGOLA INSTALLATION INSTRUCTIONS

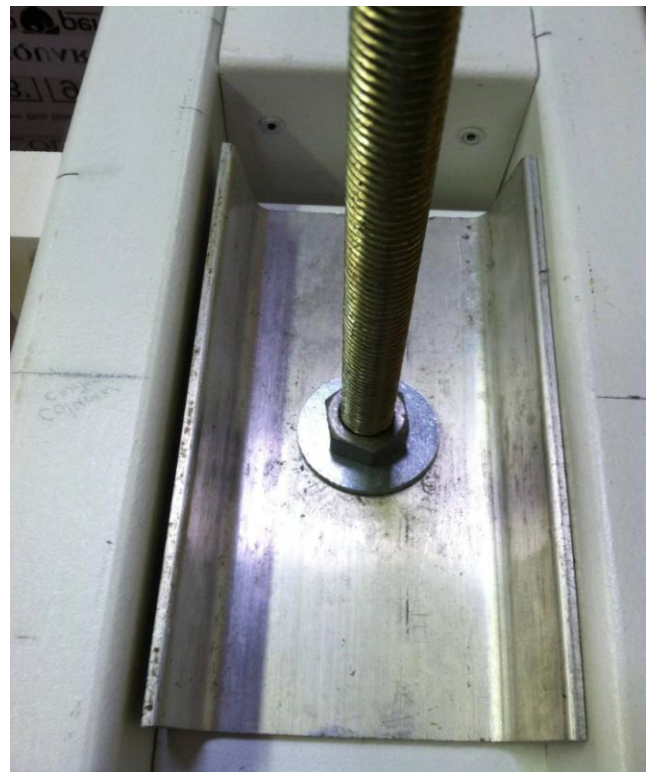
COLUMN ASSEMBLY INSTALLATION



FAN PERGOLA
INSTALLATION INSTRUCTIONS
BEAM INSTALLATION



Seat Beam Assembly over Column Assembly and attach using aluminum bracket



Leave bolt loosely tightened until false beam is installed.
Seat Beam Assembly over Column Assembly and attach using lag screws provided.

FAN PERGOLA
INSTALLATION INSTRUCTIONS
RAFTER and PURLIN INSTALLATION

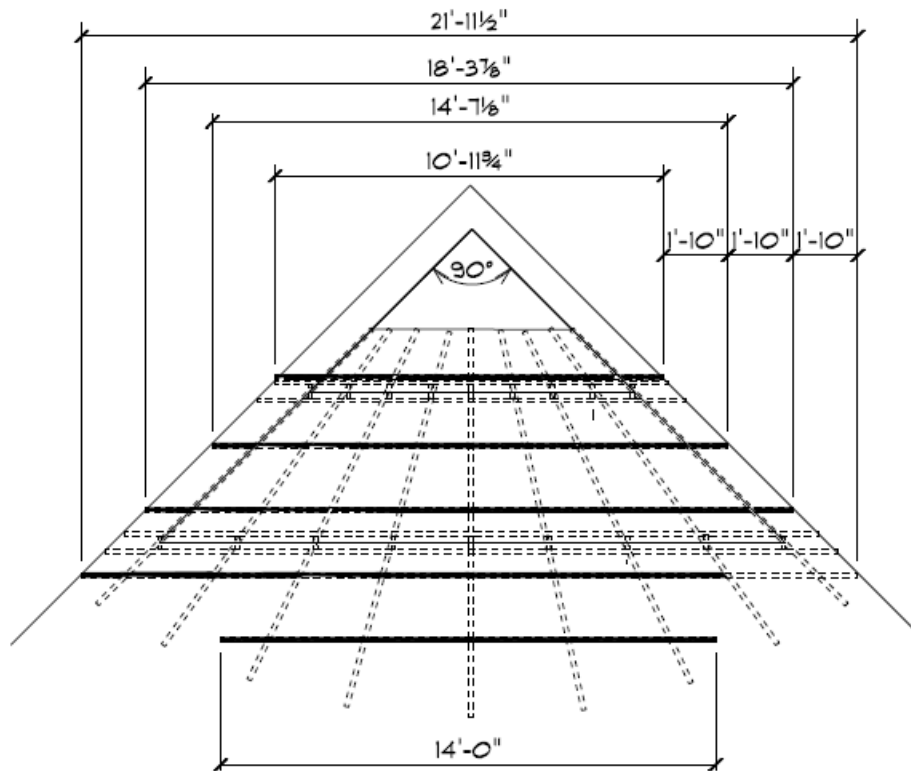


Align rafters with the spacers between the Beam Assembly.
Secure by putting 9 inch wood screw through pre drilled hole in **bottom** of spacer, and into the rafter above.

Be careful not to over tighten



16x16 PERGOLA
INSTALLATION INSTRUCTIONS
RAFTER and PURLIN INSTALLATION



5 2x4 Purlins

Once the rafters are installed, install the 2x4 Purlins using the 5 inch self drilling screws. Space the purlins equally using marks on the center rafter as a guide. Install one screw in each purlin along each of the outside rafters. Use the remaining screws to fasten the middle of the purlins to one of the middle rafters.

Leave the protective plastic on the rafters and purlins until ready to install.